



Adaptatone® Millennium Multiple Tone Signal

*Diode Polarized for Fire Alarm
Communication, Single Output*

5530MD-24AW

FEATURES

- > 27 tone capability - No additional tone modules needed
- > Output up to 110 dB
- > Suitable for Division 2 Locations
- > Diode polarized for supervisory circuits
- > Captive Components

AGENCY APPROVALS

- > NEMA Type 3R
- > IP 44
- > UL 464 and UL 1604 Listed for indoor and outdoor applications
- > CSFM
- > CE Marked
- > ULC S525
- > UL Listed for use in Class I, Division 2, Groups A, B, C & D; Class II, Division 2, Groups F & G; and Class III Hazardous Location applications
- > TUV Rheinland Certified

The Edwards 5530MD-24AW Adaptatone Millennium is a heavy-duty industrial, tone-selectable, signaling device intended primarily for use in fire alarm systems and other applications requiring electrical supervision of signaling circuit field wiring. It uses a microprocessor circuit to create 27 distinctive tones. A single tone may be selected by setting a miniature dip switch within the unit. For a complete listing of all 27 tones, see page 4-55. The Adaptatone Millennium can be activated from field-wired, normally open contacts, or a 24VDC external voltage source such as an output of a PLC or Fire/Security panel. Normally open contacts can be obtained from the Cat. No. 5538-4 and/or Cat.No. 5538-4R Adaptatone Signal Actuators. See page 4-49.

1/2" (13mm) conduit or surface mounting. See Adaptatone Signaling Installation, pages 4-56.

The signal may also be used for unsupervised signaling applications. Typical applications include fire alarm emergency warning systems, plant evacuation and security intrusion alarms, process monitoring, shift start-and-dismissal horns, and paging signals.

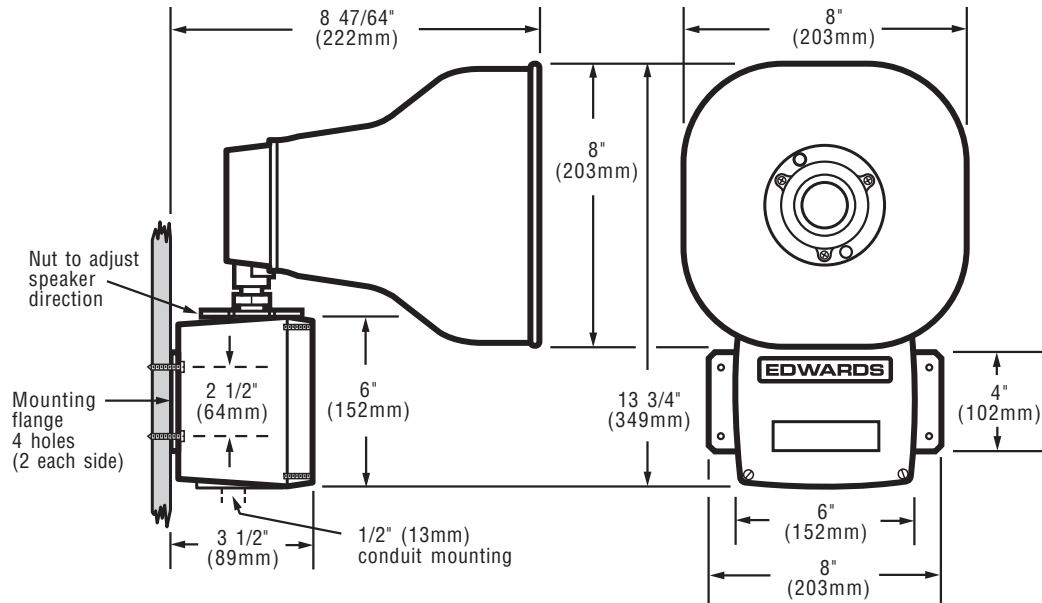
SPECIFICATIONS

- > Speaker can be rotated and locked in any horizontal direction

D-04



TECHNICAL INFORMATION



Cat. No.	Operating Voltage	Signal Off Standby Current (Amps)	Signal On Operating Current (Amps)
5530MD-24AW	20-31V DC	0.10	0.80